

LED Retrofit kit

NS-ARK80W-01C



General illumination
Outdoor use in outdoor luminaires only (minimum Ip65)
Reduces lumen maintain flux and working life if used
in sealed lamp fixtures. ①

Features

- Pure aluminum through hole and air convection design to speed up heat dissipation .
- Coating surface treatment enhances heat dissipation.
- 340 degree wide-angle lamp holder.
- 140-150lm/W High photosynthetic efficiency
- Emits no UV light / contains no mercury(Hg).
- Widely replace HID .
- Dust and fire-proof,IP54.

Applications

cobra head fixtures



shoe box



Parking lot/USA



Directinal lamps for industrial and commercial fixture applications:For use in wall pack, canopy, shoe box, or cobra head fixtures.



Technical data

Electrical data

Rated wattage	80-86 W
Input Voltage	100-277VAC
Operating frequency	50/60 Hz
Rated power factory	>0.90
Power Efficiency	>0.87
Humidity	< 90%
Ambient temperature	-40~45°C
Base (standard designation)	EX39/E39/E40
Replacement conventional lamp power	250W CFL
Dimmable	NO
Light Center Length - LCL (mm)	172mm
Maximum Base Temperature - Celsius	50°
Maximum Bulb Temperature - Celsius	100°

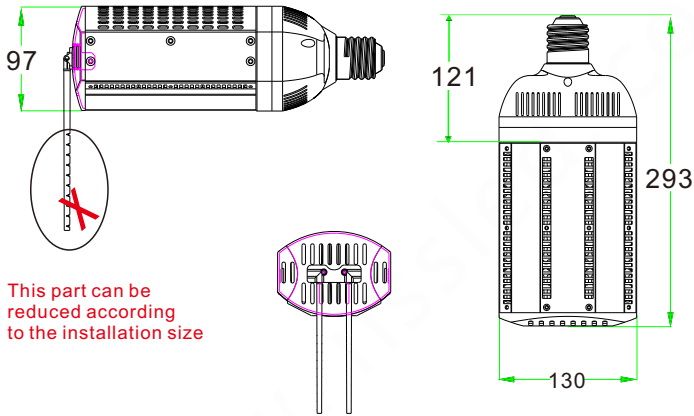
Light technical data

Light Source/Count	288pcs 2835 SMD 0.5W
Luminous flux	12000 Lm±10%
Color temperature	WarmWhite:3,000 ~3,500 K NaturalWhite:4,000 ~5,000 K CoolWhite:5,500 ~6,500K
Color rendering index Ra	Ra >80
Starting time	0 S
LED Emitter Life	50000hrs
Lifepan of LED Lamp	35000hrs



Product datasheet

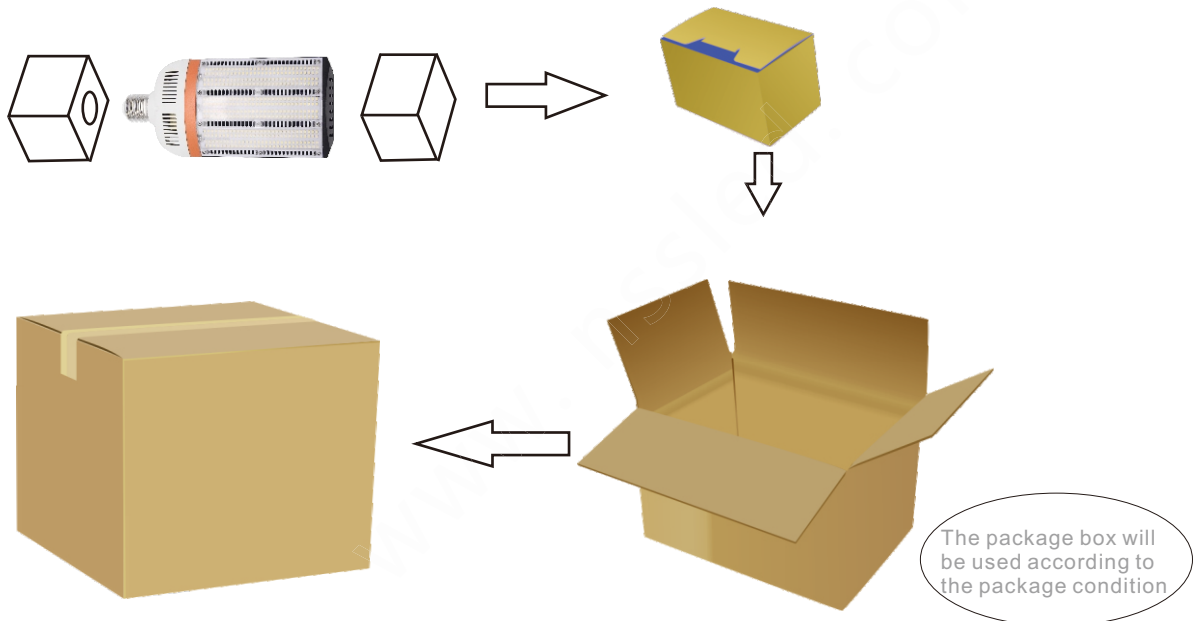
Dimensions & weight



Lamp holder type	EX39/E39/E40
Size	293x130x97mm 11.5x5.1x3.8in
N. W	1.6Kg

Logistical Data

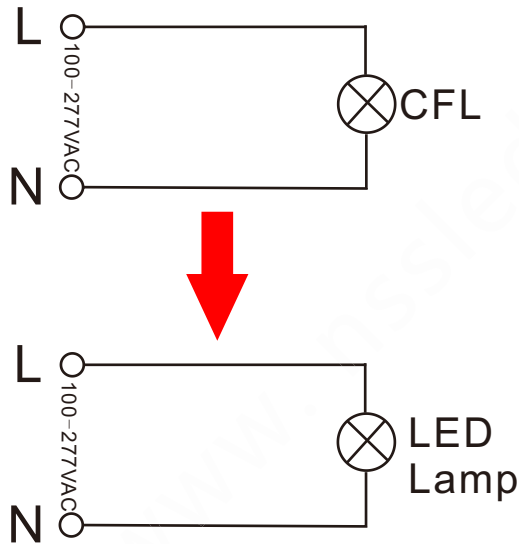
Package



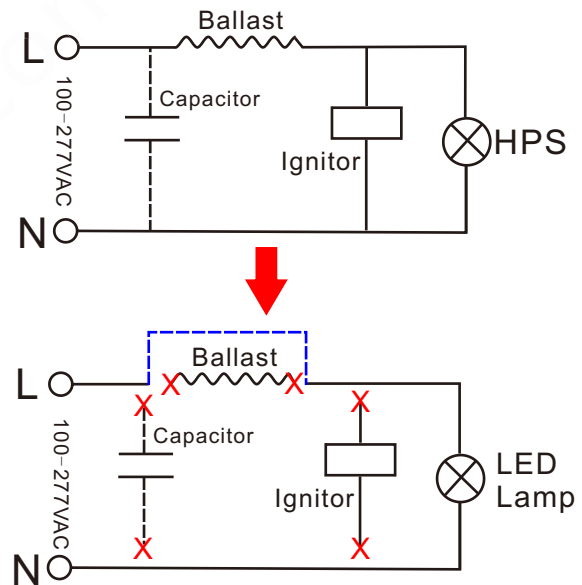
Packaging unit (Pieces/Unit)	Dimensions	Gross weight	Volume
Small box 1	33.5*12.5*17cm	E39\E40	0.007m ³
		1.7Kg	
Outer Carton 12	51.5*35*54cm	21Kg	0.1m ³

Installation

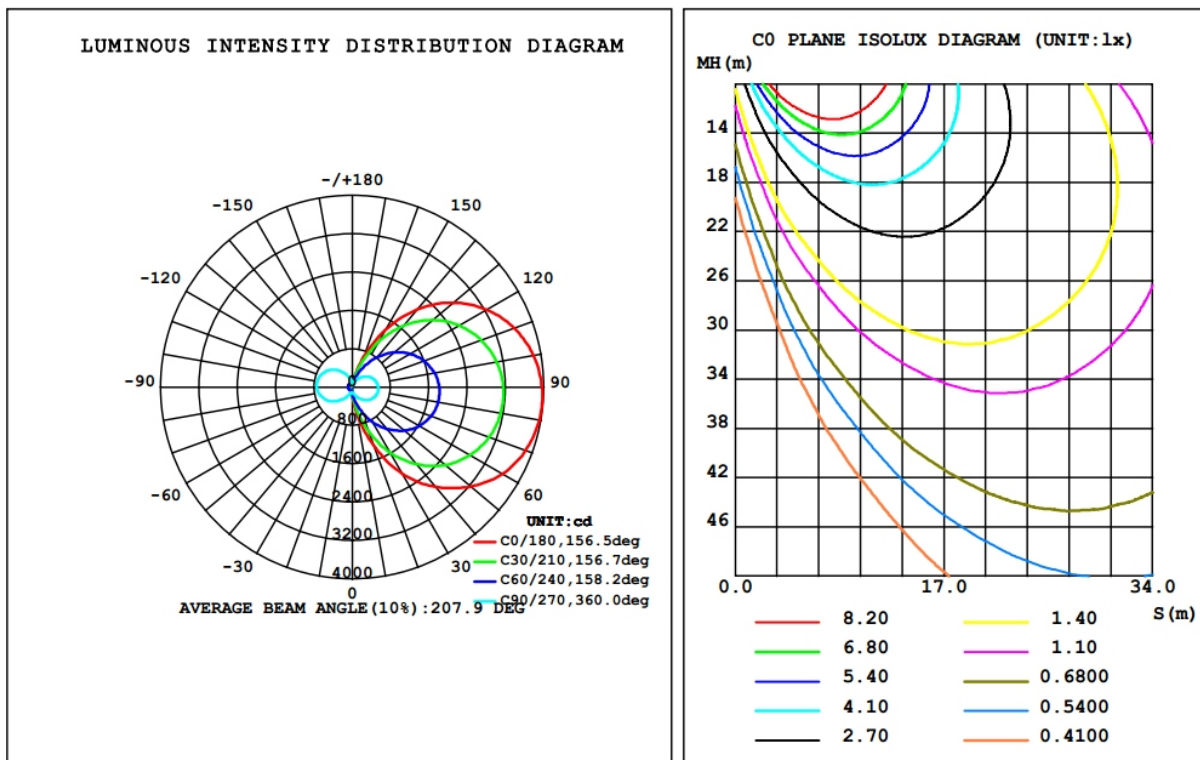
Replace CFL



Replace HPS



Light Distribution diagram



Product datasheet

Attention①

When the products are used in the outdoor lighting, ensure the space is waterproof and well ventilated. Pay attention to the size of the confined space. Ensure the lamp has enough space for heat dissipation which ensures lumen maintenance and extends its working life.

As shown below, for your reference



When 80W Retrofit Kit light is used in confined space, the Minimum size shall not be less than L61*W61*H36cm.

Attention②

Key Benefits of comparison	LED Energy Saving light 80W	CFL/HPS/HID/MH Lamp 250W
Luminous Flux (Lm)	12000	11250
Efficiency (Lm/W)	150	45
Better Color Appearance Measured in color Rendering index	80	65
Wide Color Availability In CCT (kelvin)	3000-7000	2500-3000
Starting Time, Quick Start (min)	0	0
The life of the lamp (H)	35000	5000



LED Retrofit Kit
light 80W



CFL/HPS/HID/MH
Lamp 250W

Additional product data

All technical parameters apply to the entire lamp/Due to the complex production process for light-emitting diodes, the typical values shown for the technical LED parameters are purely statistical values that do not necessarily match the actual technical parameters of each individual product, which can vary from the typical value.

Disclaimer

Subject to change without notice. Errors and omission excepted. Always make sure to use the most recent release.