

## Product datasheet

NS-WLC150W-01

LED Corn light



General illumination

Outdoor use in outdoor luminaires only (minimum Ip65)

Reduces lumen maintain flux and working life if used in sealed lamp fixtures. ①

### Product features

- Unique structure design , removable power supply and light source (easier for power supply and light source replacement if needed).
- Aluminum fin-shape heat sinking and active air exchanging cooling system in order to speed up heat dissipation.
- No UV and near-IR radiation in the light beam.
- Very low energy consumption, Lower thermal output.
- Popular, ballast free, easy installation.
- Not suitable for dimmers ,electronic switches and remote controls .
- Can be easily fitted instead of ordinary light bulbs.
- Mainly used in work places, supermarkets and public lighting.

### Applications

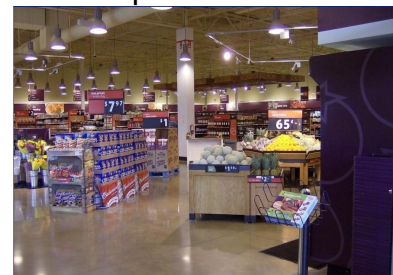
Factory



office



supermarket



## Product datasheet

### Technical data

#### Electrical data

Rated wattage	150-158W
Input Voltage	100-277V AC
Operating frequency	50/60 Hz
Rated power factor	>0.90
Power Efficiency	>0.87
Humidity	< 90%
Ambient temperature	-40 ~ 45°C
Base (standard designation)	E39/E40
Replacement conventional lamp power	600W CFL/HID
Output Short Circuit Protection	YES
Output Overvoltage protection	YES
Dimmable	NO

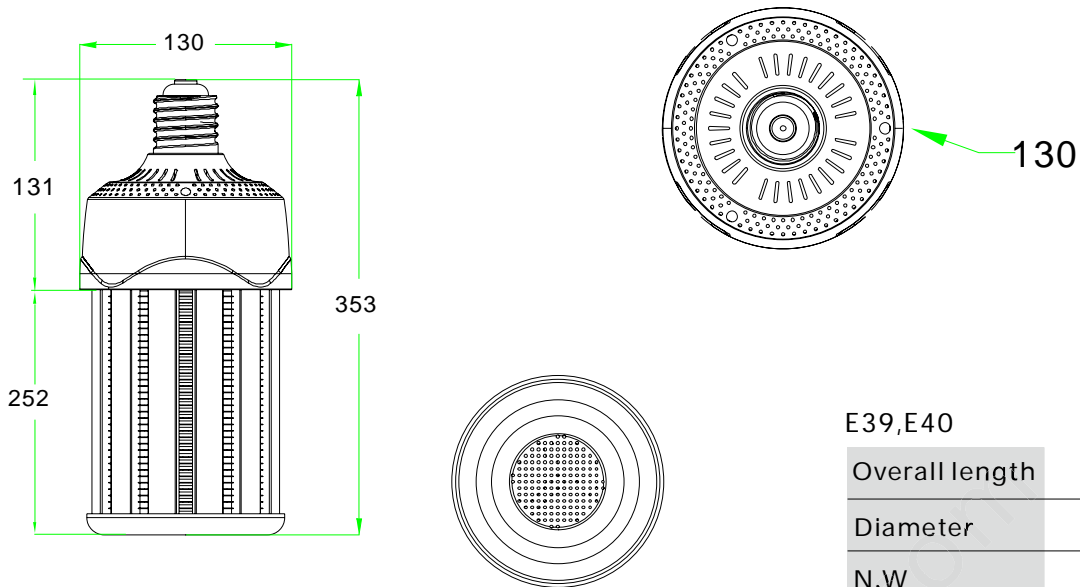
#### Light technical data

Light Source/Count	640pcs 0.5W 2835 SMD LED
Luminous flux	22000±200LM
Color temperature	Warm White: 2,700 ~ 3,500 K NaturalWhite: 4,000 ~ 5,000 K Cool White: 5,500 ~ 6,700K
Color rendering index Ra	Ra > 80
Starting time	0 S
LED Emitter Life	50000hrs
Lifepan of LED Lamp	35000hrs

## Product datasheet

### Dimensions & weight

E39,E40

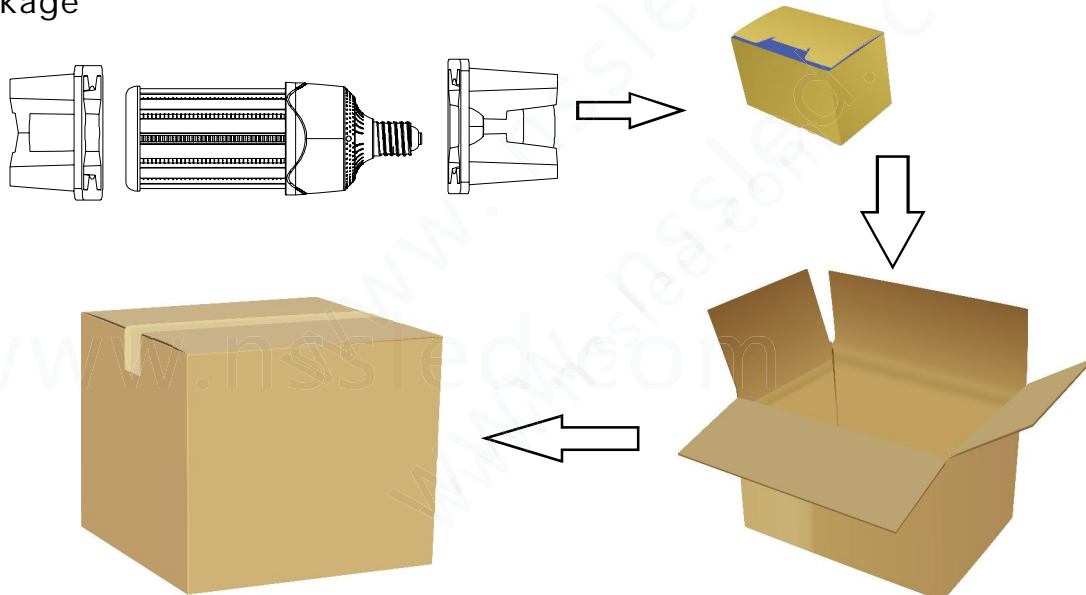


E39,E40

Overall length	353MM
Diameter	130MM
N.W	1.45Kg

### Logistical Data

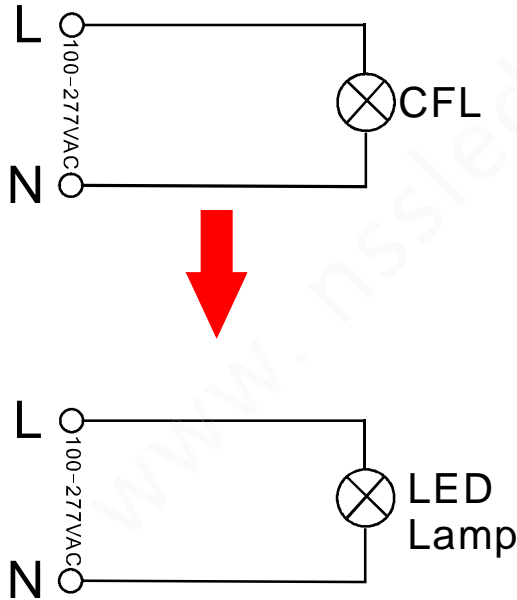
#### Package



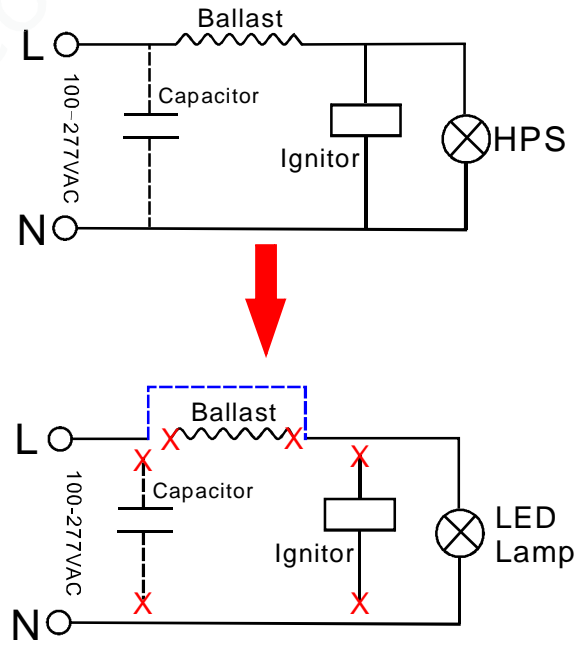
Packaging unit (Pieces/Unit)	Dimensions	Gross weight	Volume
pearl cotton 1	40*15.5*15.5cm	1.53Kg	0.01m <sup>3</sup>
Shipping carton box 12	66.5*42*49cm	20Kg	0.14m <sup>3</sup>

Installation

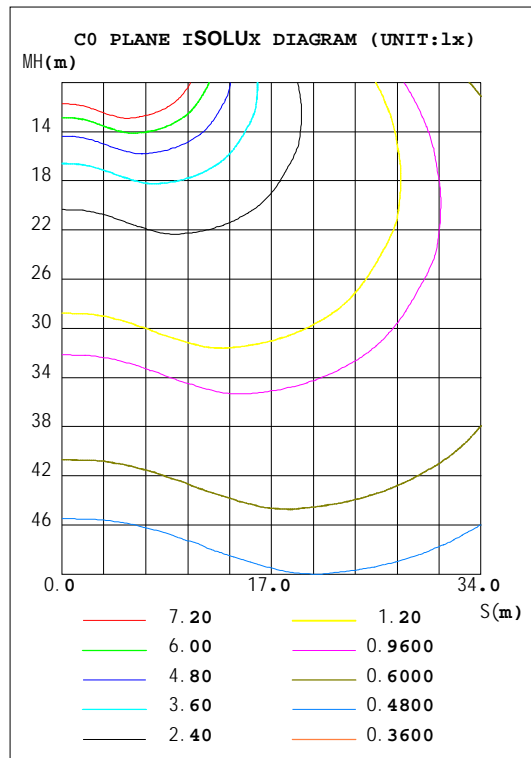
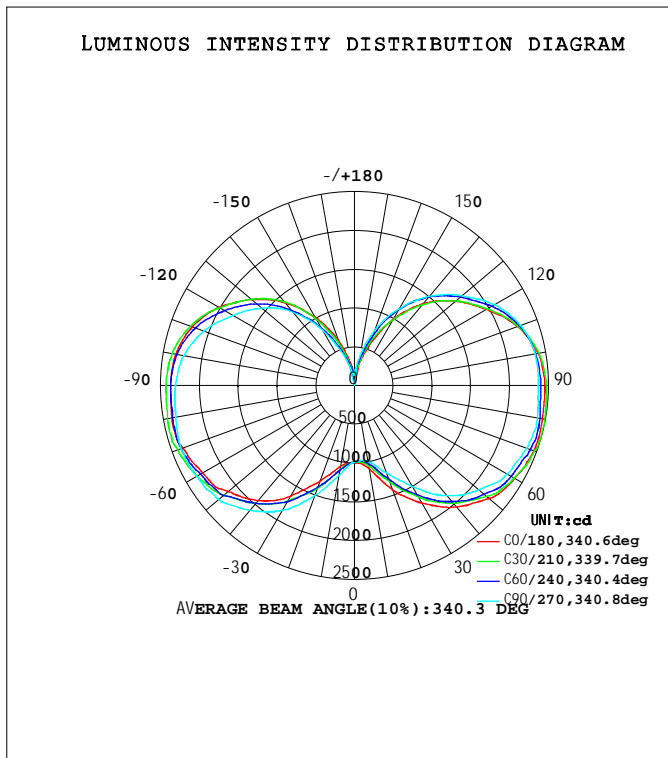
**Replace CFL**



**Replace HPS**



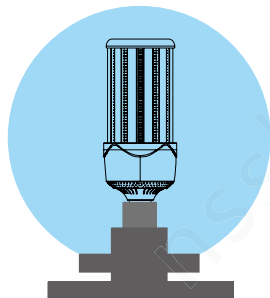
Light Distribution diagram



## Product datasheet

### Attention ①

When the products are used in the outdoor lighting, ensure the space is waterproof and well ventilated. Pay attention to the size of the confined space. Ensure the lamp has enough space for heat dissipation which ensures lumen maintenance and extends its working life. As shown below, for your reference



When 150W warehouse light is used in confined space, the diameter must be more than 100cm.

### Attention ②

Key Benefits of comparison	LED Energy Saving light 150W	CFL/HID 600W	Incandescent Lamp 1500W
Luminous Flux(Lm)	22500	24000	22500
Efficiency(Lm/W)	150	40	15
Better Color Appearance Measured in color Rendering index	80	80	98
Wide Color Availability In CCT(kelvin)	2700-6700	2700-6700	2700
Starting Time, Quick Start (min)	0	3	0
The life of the lamp(H)	35000	8000	5000



LED Energy Saving light 150W



Replacement



CFL/HID 600W



OR



Incandescent Lamp 1500W

### Additional product data

All technical parameters apply to the entire lamp/Due to the complex production process for light-emitting diodes, the typical values shown for the technical LED parameters are purely statistical values that do not necessarily match the actual technical parameters of each individual product, which can vary from the typical value.

### Disclaimer

Subject to change without notice. Errors and omission excepted. Always make sure to use the most recent release.