

NSWL-40W12S-420S2

LED Energy Saving light



General illumination
 Outdoor use in outdoor luminaires only (minimum Ip65)
 Reduces lumen maintain flux and working life if used
 in sealed lamp fixtures. ①

Product features

- Unique structure design, removable power supply and light source (easier for power supply and light source replacement if needed).
- Aluminum fin-shape heat sinking and active air exchanging cooling system in order to speed up heat dissipation.
- No UV and near-IR radiation in the light beam.
- Very low energy consumption, Lower thermal output.
- Not suitable for dimmers, electronic switches and remote controls.
- Can be easily fitted instead of ordinary light bulbs.
- Mainly used in work places, supermarkets and public lighting.

Applications

Street/Spain



Workshop/Israel



Supermarket/USA





Product datasheet

Technical data

Electrical data

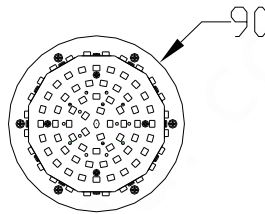
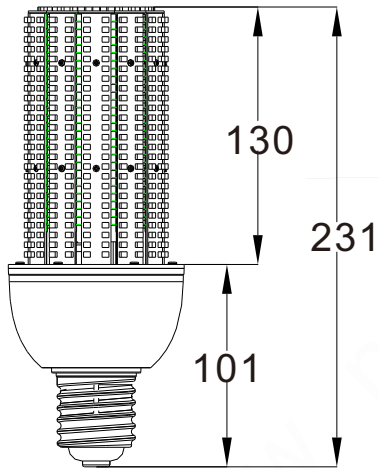
Rated wattage	40-45W
Input Voltage	100-277VAC (AC90-305V is available)
Operating frequency	50/60 Hz
Rated power factor	>0.90
Power Efficiency	>0.87
Humidity	< 90%
Ambient temperature	- 40~45°C
Base (standard designation)	E26/E27/E39/E40
Replacement conventional lamp power	80W CFL ^②
Dimmable	NO

Light technical data

Light Source/Count	420pcs 2835 SMD LED
Luminous flux	4850 Lm
Color temperature	Warm White: 2,500 ~ 3,500 K Natural White: 4,000 ~ 5,000 K Cool White: 5,500 ~ 6,500 K
Color rendering index Ra	Ra > 80
Starting time	0 S
LED Emitter Life	50000hrs
Lifepan of LED Lamp	35000hrs

Product datasheet

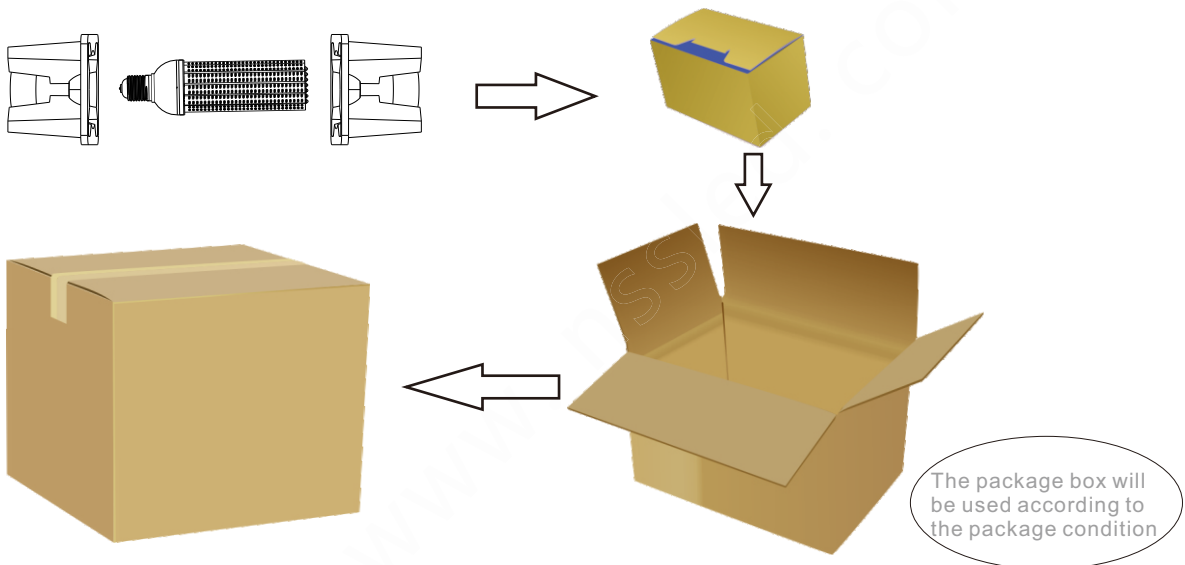
Dimensions & weight



Lamp holder type	E26	E27	E39	E40
Overall length	220mm	222m	231mm	234mm
Diameter	90mm			
N. W	431g		457g	

Logistical Data

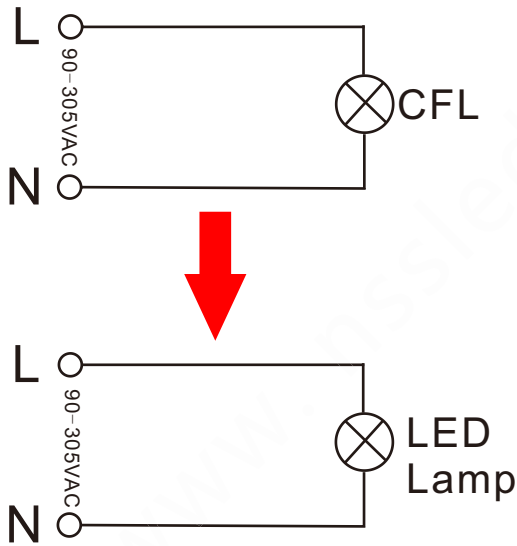
Package



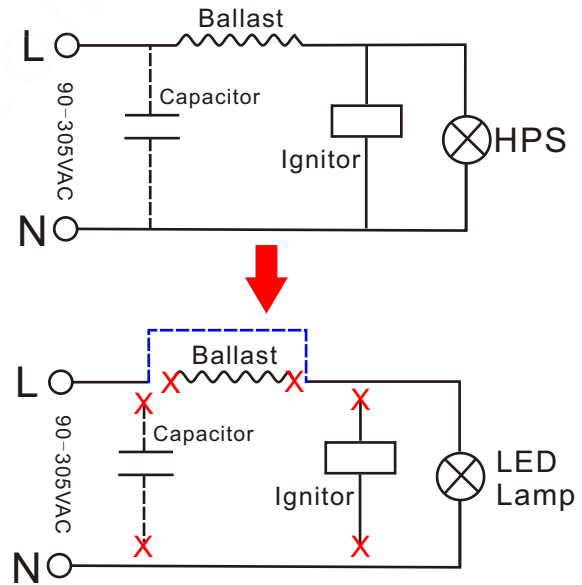
Packaging unit (Pieces/Unit)	Dimensions	Gross weight		Volume
Small box 1	27.5*12.0*12.0cm	E26\E27	E39\E40	0.004m ³
		577g	603g	
Outer Carton 12	56*38*25.5cm	7.8Kg	8.1Kg	0.054m ³

Installation

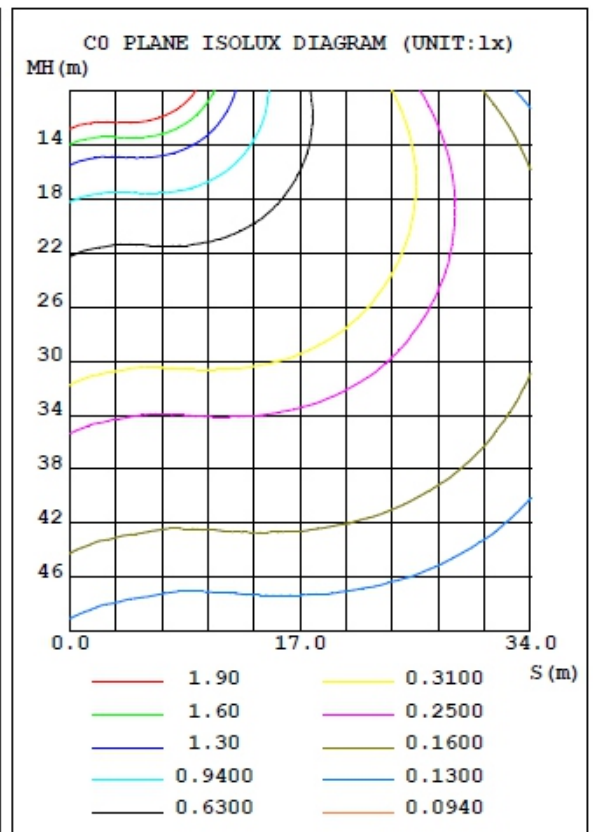
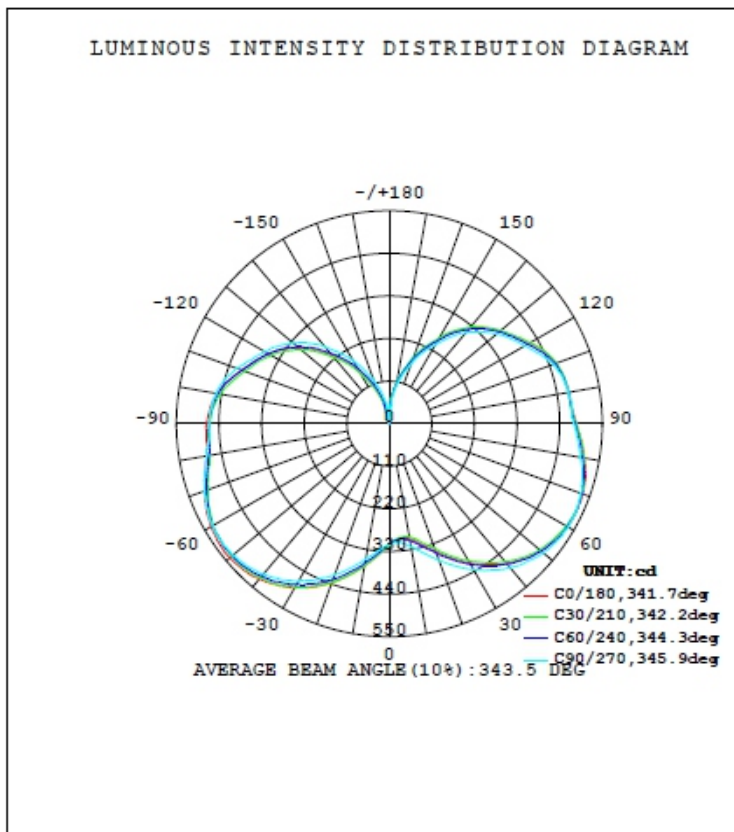
Replace CFL



Replace HPS



Light Distribution diagram

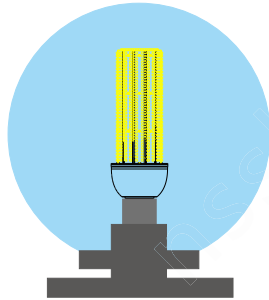


Product datasheet

Attention ①

When the products are used in the outdoor lighting, ensure the space is waterproof and well ventilated. Pay attention to the size of the confined space. Ensure the lamp has enough space for heat dissipation which ensures lumen maintenance and extends its working life.

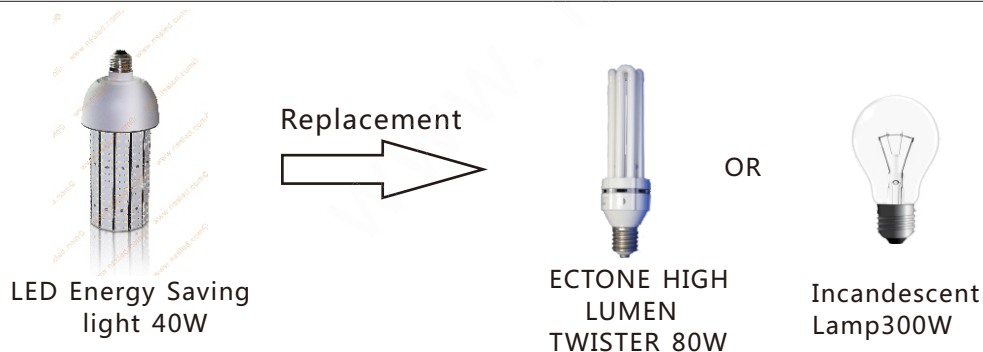
As shown below, for your reference



When 40W warehouse light is used in confined space, the diameter must be more than 40cm.

Attention ②

Key Benefits of comparison	LED Energy Saving light 40W	ECTONE HIGH LUMEN TWISTER 80W	Incandescent Lamp 300W
Luminous Flux (Lm)	4850	4400	4500
Efficiency (Lm/W)	120	55	15
Better Color Appearance Measured in color Rendering index	83	80	98
Wide Color Availability In CCT (kelvin)	2500-6500	2500-6500	2500
Starting Time, Quick Start (min)	0	3	0
The life of the lamp (H)	35000	8000	5000



Additional product data

All technical parameters apply to the entire lamp/Due to the complex production process for light-emitting diodes, the typical values shown for the technical LED parameters are purely statistical values that do not necessarily match the actual technical parameters of each individual product, which can vary from the typical value.

Disclaimer

Subject to change without notice. Errors and omission excepted. Always make sure to use the most recent release.