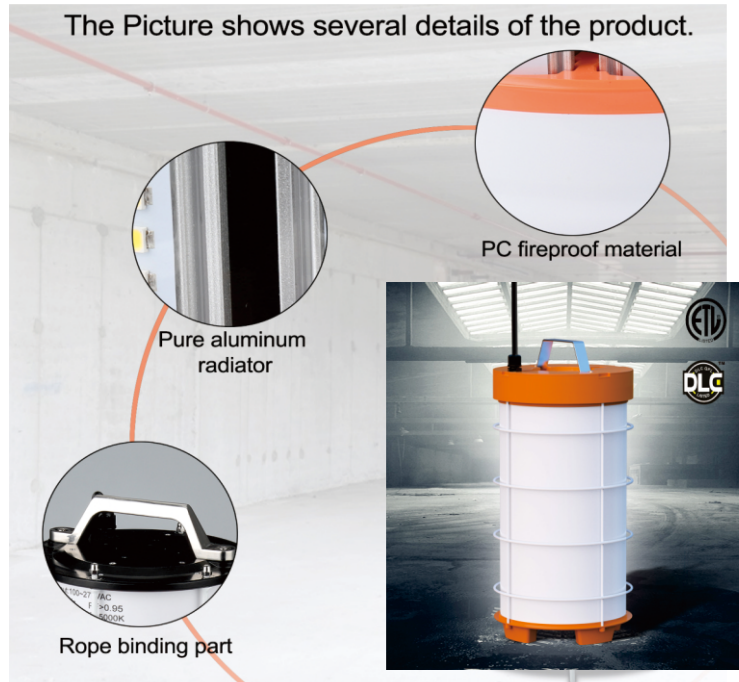


NS-TWL250W-03-C
NS-TWL450W-03-C



Features Description

- ◆ 1.360-degree beam angle, Use integrated aluminum profile, air natural circulation ventilation design.
- ◆ 2.Sturdy and durable plastic and hardware component structure, handle design, Lightweight and convenient, Improve the safety when using lamps;
- ◆ 3. constant current power supply, 6000V surge protection circuit to avoid the product being damaged by surge current;
- ◆ 4.Use of high performance fans to ensure the rated life of the lamp (only 450W);
- ◆ 5.Long life span, more than 50,000 hours, reducing the times of replacements, saving time, money and energy;
- ◆ 6.Under the Same output luminous flux circumstances, save 60% -65% of electrical energy and reduce energy costs than HID;
- ◆ 7.Working ambient temperature rating is -25°C to 50°C;
- ◆ 8. Suitable for indoor open and closed fixtures; easy to install, a good replacement for traditional HID, MH and HPS.

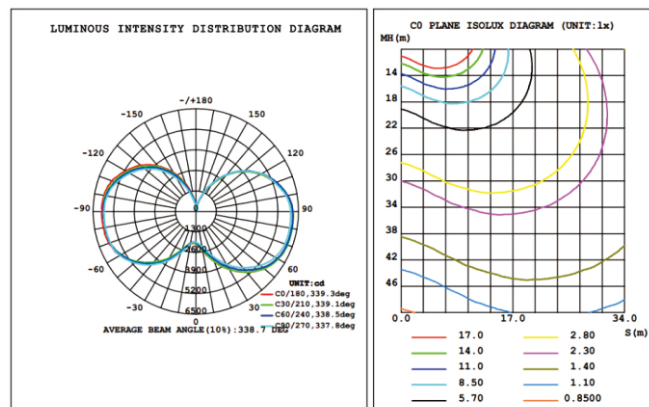
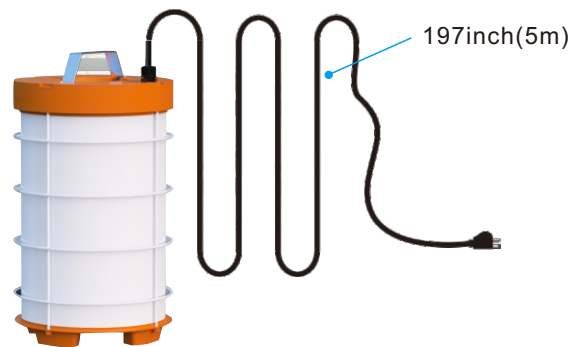
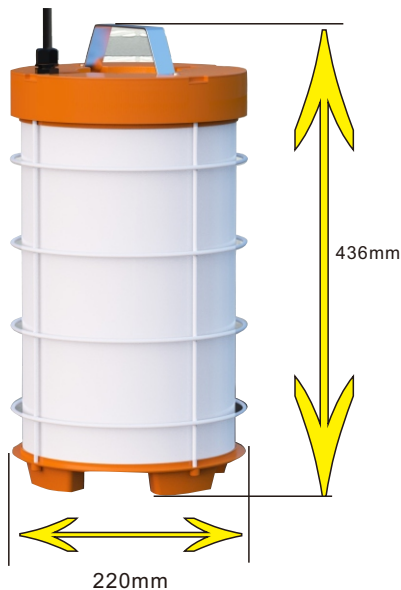
Applications



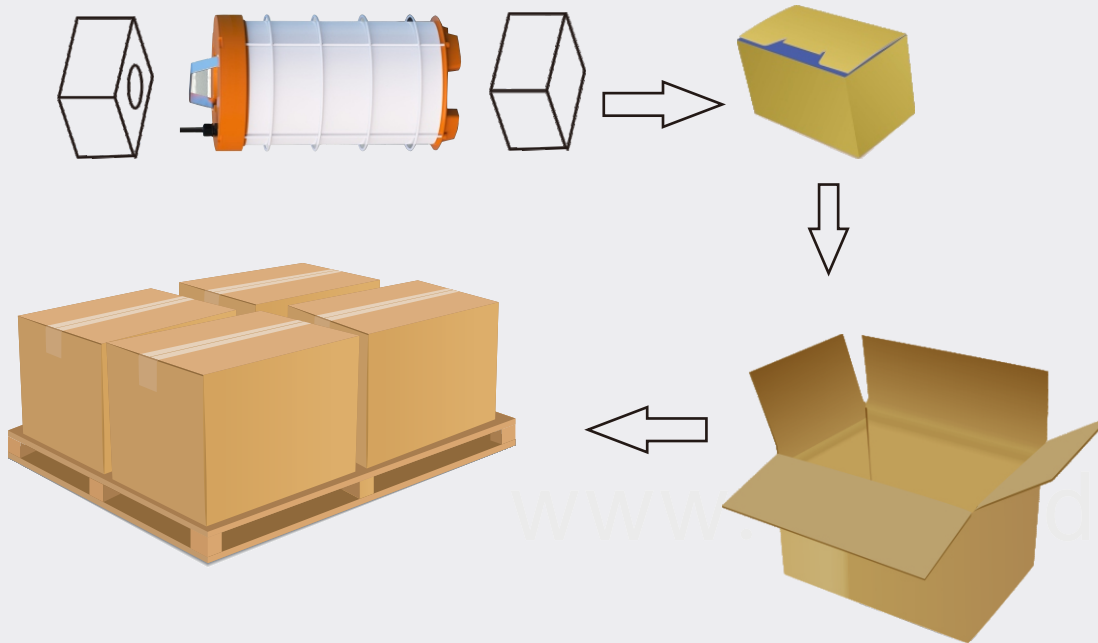
Technical parameters

SPECIFICATION		NS-TWL250W-03-C	NS-TWL450W-03-C
ELECTRICAL SPECIFICATIONS	Input Voltage (V)	Ac100 -277V,50/60Hz	
	Power Factor	110V@0.98,277V@0.9	
	Power Watts(W)	250W	450W
	Dimming Availability	NO	
	THD	<20%	
	Efficiency	>90%	
PHOTOMETRIC INFORMATION	Lumens Delivered (lm)	32000LM±5%	57000LM±5%
	Color Rendering Index (CRI)	>80	
	CCT	2700-6500k	
	Light Type	SMD 2835 0.2W	SMD 2835 0.5W
	Beam Angle	360°	
	LED Amount	1728 LEDs	
GENERAL PERFORMANCE	IP Grade	IP65	
	Material	6063 aluminum+PC+stainless steel	
	Lamp Size	Φ220*H436 mm Φ8.7"*H 17.1"	
	Fixture Weight	6.45Kg(14lbs)	7Kg(15.4lbs)
	Storage temperature	-25°C - 55 °C (-13°F to 131°F)	
	Operating Temperature	-25°C - 50 °C (-13°F to 122°F)	
	Environment Humidity	40% ~ 90% RH, non condensing	
	Certification	CE,ROHS	
Life Span	>30,000 hours(Luminance decrease is less than 30%)		

Size chart & Light Distribution



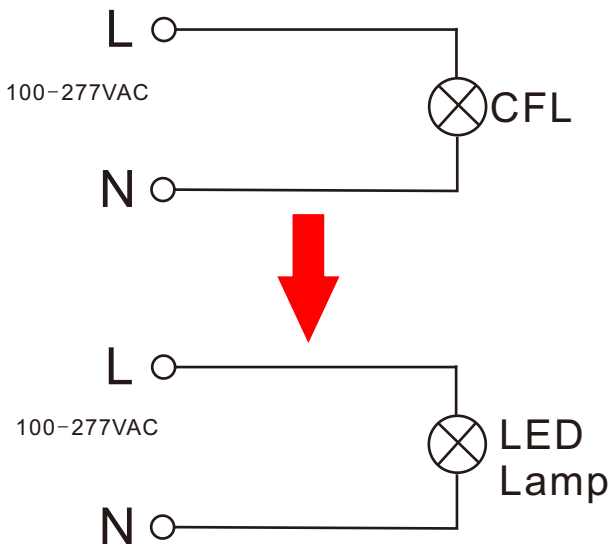
Package



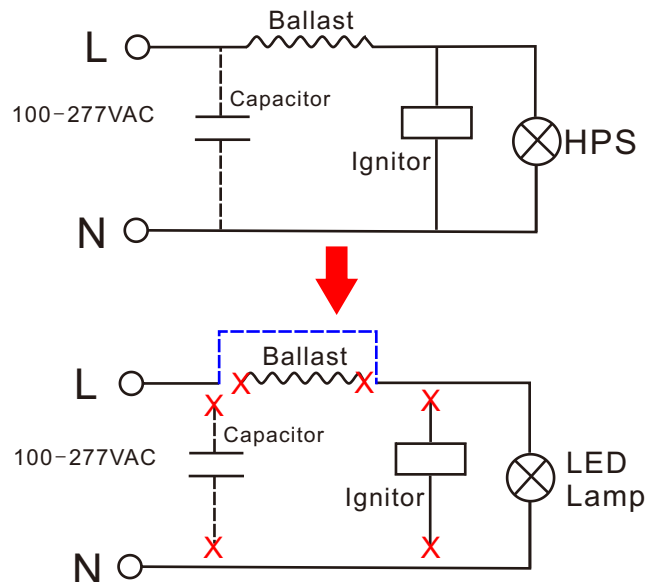
	Packaging unit (Pieces/Unit)	Dimensions	Gross weight	Volume
NS-TWL250W-03-C	Outer Carton 2	56*47*30cm	15Kg	0.078m ³
NS-TWL450W-03-C			16Kg	

Installation

Replace CFL



Replace HID/MH/HPS



Installation Notes

- ! This LED lamp do not use with dimmers.
- ! Never repair the lamp by yourself, it should be repaired by professional person or maintenance center, otherwise it risks the chance of damage.
- ! Protect the lamp from dust and dirt, clean with soft cloth only, do not use chemical cleaners.
- ! Use only on 100-277VAC , 50-60Hz circuits, do not use with HID ballast.
- ! Power supply must be turned off before installing or servicing.

Warranty description

- The following circumstances are not under warranty:**
- ◆ Instructions or invoice can not be provided.
 - ◆ Accidental or misuse causing damage.
 - ◆ Modification or repairs without our company's permission.
 - ◆ Expiry of the warranty period, it can be used after reparation.



LED Temporary work Light



HPS/HID/MH

250W
450W

Replacement



700W
1250W

Additional product data

All technical parameters apply to the entire lamp/Due to the complex production process for light-emitting diodes, the typical values shown for the technical LED parameters are purely statistical values that do not necessarily match the actual technical parameters of each individual product,which can vary from the typical value.

Disclaimer

Subject to change without notice. Errors and omission excepted. Always make sure to use the most recent release.