

NS-PCL12-01U  
NS-PCL12-04U



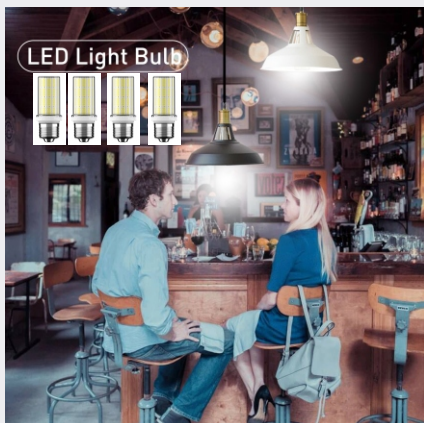
E26/E27



## Features Description

- 360 - degree lighting angle, natural ventilation and heat dissipation.
- Green products are light and convenient without ultraviolet and infrared radiation.
- Not suitable for dimmers ,electronic switches and remote controls .
- Dust and fire-proof, IP65.
- Widely replace HID/HPS/MH/CFL.
- Indoor and outdoor illumination: Such as studios or jewelry stores, supermarkets and galleries

## Applications



### COLOR INDEX COMPARISON

**CRI 85 Good**  
Show natural color more vibrantly, suitable for commercial places, such as studios or jewelry stores, supermarkets and galleries.

**CRI 60 General**  
Applicable for places or occasions with low requirement

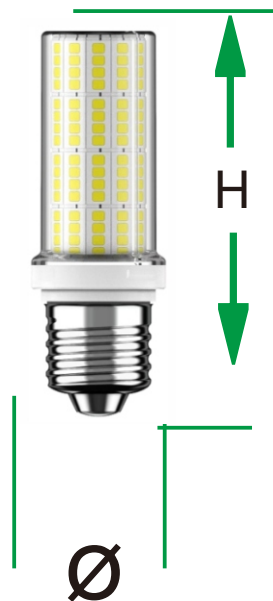
**CRI 80+**

See all colors the way they are supposed to be seen

## Technical parameters

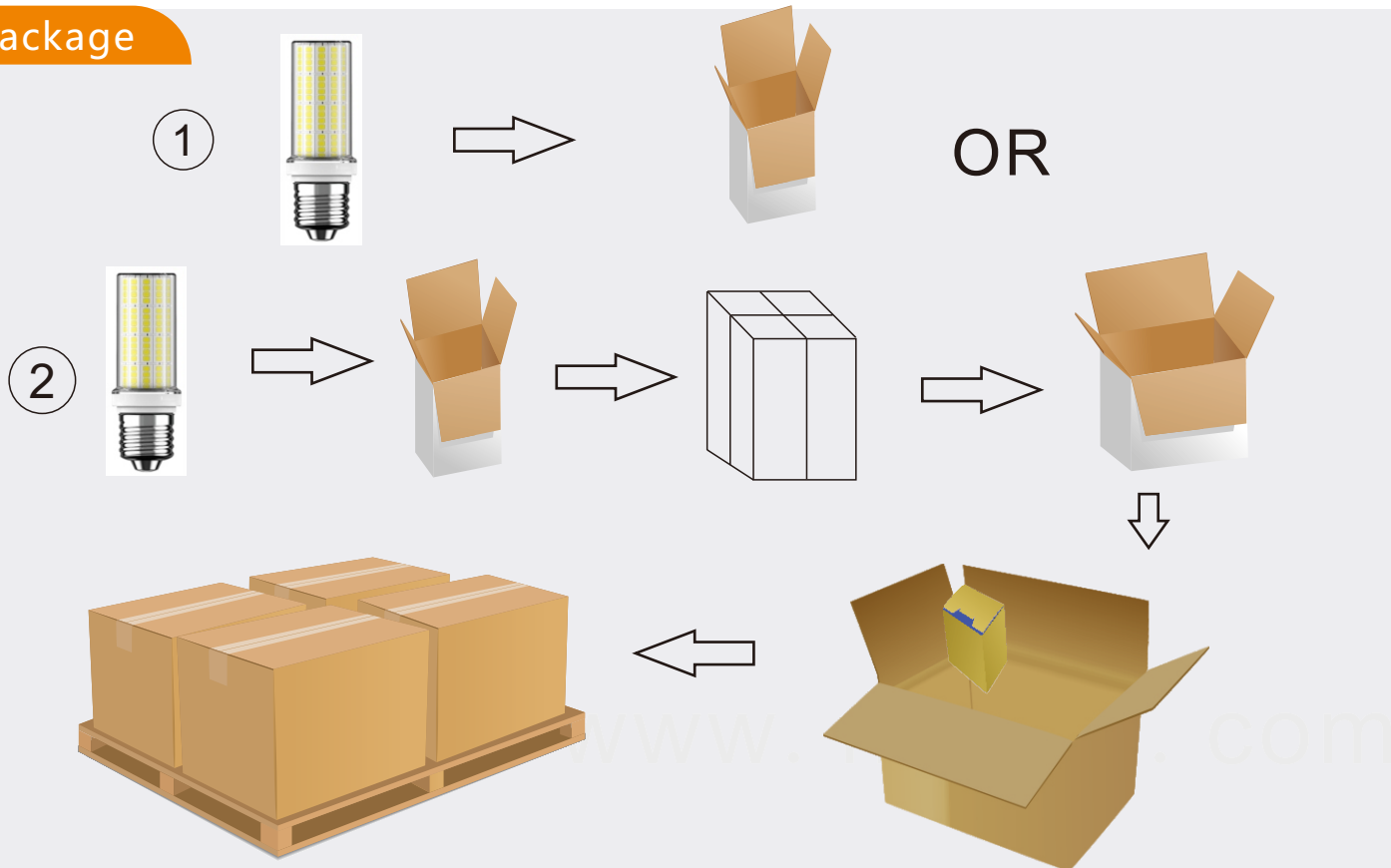
SPECIFICATION		NS-PCL12-01U	NS-PCL12-04U
ELECTRICAL SPECIFICATIONS	Input Voltage (V)	Ac100 -130V or Ac170 -265V ,50/60Hz	
	Power Factor	100V@0.7,265V@0.6	
	Power Watts(W)	12W	
	Dimming Availability	NO	
	THD	<20%	
	Efficiency	>90%	
PHOTOMETRIC INFOMATION	Lumens Delivered (lm)	1620LM±5%	
	Color Rendering Index (CRI)	>80	
	CCT	3000K,4000K, 5000K,6000K ,	
	Light Type	LED	
	Beam Angle	360°	
	LED Amount	204 LEDs	
GENERAL PERFORMANCE	IP Grade	IP65	
	Material	PC	
	Fixture Weight	35g(0.08lbs)	
	Storage temperature	-25°C - 55 °C (-13°F to 131°F)	
	Operating Temperature	-25°C - 50 °C (-13°F to 122°F)	
	Environment Humidity	40% ~ 90% RH, non condensing	
	Certification	CE,ROHS	
	Life Span	(Luminance decrease is less than 30%)	

## Size chart



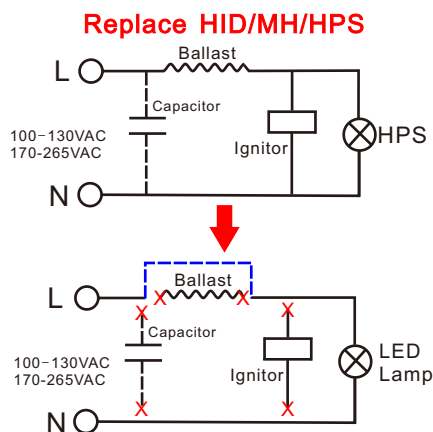
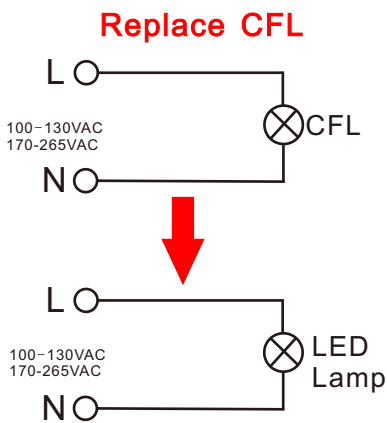
Power Watts(W)	Lamp Base	Lamp Size
12W	E26/E27	Φ33*H96mm

**Package**



Packaging type	Small box	Outer Carton Dimensions	Gross weight	Quantity (Pieces/Unit)
NS-PCL12-01U	L3.3*W3.3*H9.6cm	L38*W38*H22.2cm	9Kg	200pcs
NS-PCL12-04U	L6.8*W6.8*H9.9cm	L42*W42*H31.8cm	19Kg	432pcs

**Installation**



**E26 LED Light Bulb**

- ✓ Low Power Consumption
- ✓ High Brightness
- ✓ 99% light transmittance

Halogen bulb	Fluorescent bulb	LED bulb
✗ Low brightness	✗ High brightness	✓ Pollution environment
✗ High power consumption	✗ High power consumption	✓ High brightness
		✓ Low power consumption