

NS-PCL04-01U
NS-PCL08-01U



4W



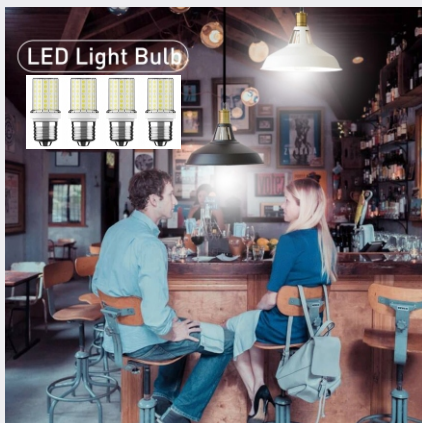
8W



Features Description

- 360 - degree lighting angle, natural ventilation and heat dissipation.
- Green products are light and convenient without ultraviolet and infrared radiation.
- Not suitable for dimmers ,electronic switches and remote controls .
- Dust and fire-proof, IP65.
- Widely replace HID/HPS/MH/CFL.
- Indoor and outdoor illumination: Such as studios or jewelry stores, supermarkets and galleries

Applications



COLOR INDEX COMPARISON

CRI 85 Good
Show natural color more vibrantly, suitable for commercial places, such as studios or jewelry stores, supermarkets and galleries.

CRI 60 General
Applicable for places or occasions with low requirement

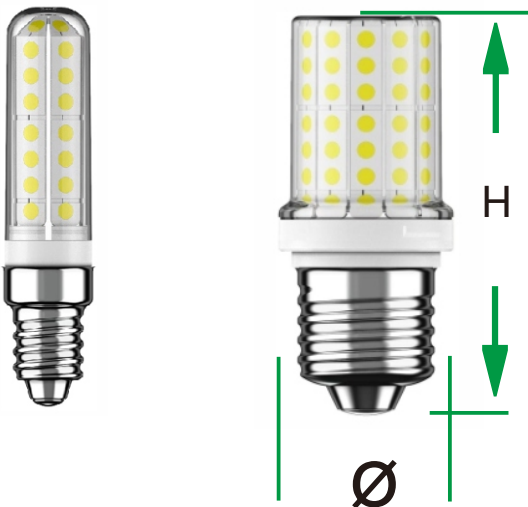
CRI 80+

See all colors the way they are supposed to be seen

Technical parameters

SPECIFICATION		NS-PCL04-01U	NS-PCL08-01U
ELECTRICAL SPECIFICATIONS	Input Voltage (V)	Ac100 -130V or Ac170 -265V ,50/60Hz	
	Power Factor	100V@0.7,265V@0.6	
	Power Watts(W)	4W	8W
	Dimming Availability	NO	
	THD	<20%	
	Efficiency	>90%	
PHOTOMETRIC INFOMATION	Lumens Delivered (lm)	480LM±5%	1000LM±5%
	Color Rendering Index (CRI)	>80	
	CCT	3000K,4000K, 5000K,6000K ,	
	Light Type	LED	
	Beam Angle	360°	
	LED Amount	48 LEDs	96 LEDs
GENERAL PERFORMANCE	IP Grade	IP65	
	Material	PC	
	Fixture Weight	11g(0.024lbs)	28g(0.06lbs)
	Storage temperature	-25°C - 55 °C (-13°F to 131°F)	
	Operating Temperature	-25°C - 50 °C (-13°F to 122°F)	
	Environment Humidity	40% ~ 90% RH, non condensing	
	Certication	CE,ROHS	
	Life Span	(Luminance decrease is less than 30%)	

Size chart

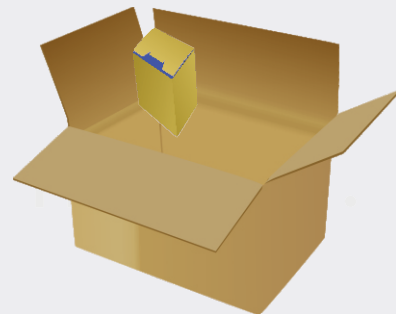
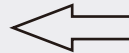


Power Watts(W)	Lamp Base	Lamp Size
4W	E12/E14	Φ17*H77mm
8W	E12/E14 E26/E27	Φ33*H76mm

Package



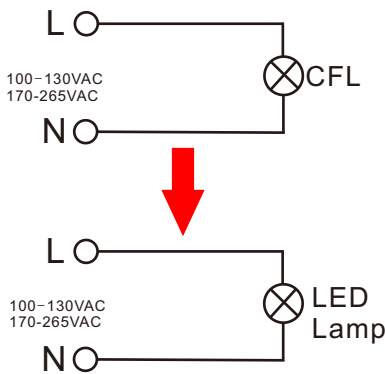
or



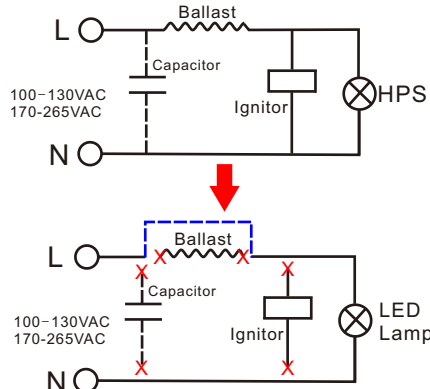
Packaging type	Small box	Outer Carton Dimensions	Gross weight	Quantity (Pieces/Unit)
NS-PCL04-01U	L1.7*W1.7*H7.7cm	L21*W21*H43cm	7Kg	500pcs
NS-PCL08-01U	L3.3*W3.3*H7.6cm	L38*W38*H18.2cm	7.1Kg	200pcs

Installation

Replace CFL



Replace HID/MH/HPS



E26 LED Light Bulb

- Low Power Consumption
- High Brightness
- 99% light transmittance






Halogen bulb
 ✗ Low brightness
 ✗ High power consumption



Fluorescent bulb
 ✗ High brightness
 ✗ High power consumption



LED bulb
 ✓ Pollution environment
 ✓ High brightness
 ✓ Low power consumption