

NS-PCL60-01U



E26/E27



Features Description

- 360 - degree lighting angle, natural ventilation and heat dissipation.
- Green products are light and convenient without ultraviolet and infrared radiation.
- Not suitable for dimmers ,electronic switches and remote controls .
- Dust and fire-proof, IP65.
- Widely replace HID/HPS/MH/CFL.
- Indoor and outdoor illumination: Such as studios or jewelry stores, supermarkets and galleries

Applications



COLOR INDEX COMPARISON

CRI 85 Good
Show natural color more vibrantly, suitable for commercial places, such as studios or jewelry stores, supermarkets and galleries.

CRI 60 General
Applicable for places or occasions with low requirement

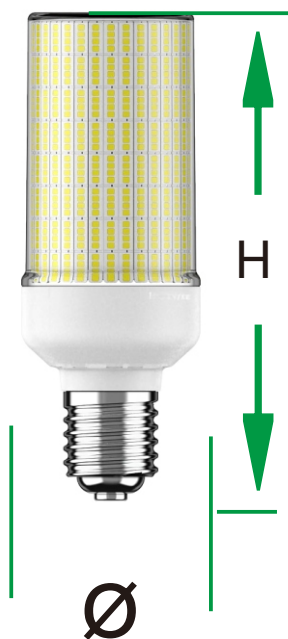
CRI 80+

See all colors the way they are supposed to be seen

Technical parameters

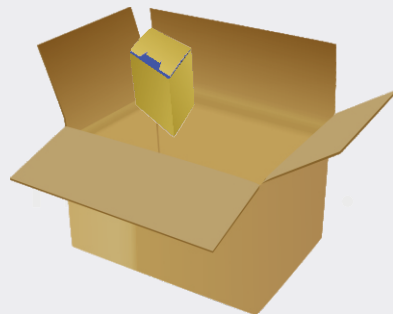
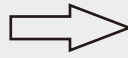
SPECIFICATION		NS-PCL60-01U
ELECTRICAL SPECIFICATIONS	Input Voltage (V)	Ac100 -265V,50/60Hz
	Power Factor	110V@0.7,265V@0.6
	Power Watts(W)	60W
	Dimming Availability	NO
	THD	<20%
	Efficiency	>90%
PHOTOMETRIC INFOMATION	Lumens Delivered (lm)	8000LM±5%
	Color Rendering Index (CRI)	>80
	CCT	3000K,4000K, 5000K,6000K ,
	Light Type	LED
	Beam Angle	360°
	LED Amount	1088 LEDs
GENERAL PERFORMANCE	IP Grade	IP65
	Material	PC
	Fixture Weight	185g(0.4lbs)
	Storage temperature	-25°C - 55 °C (-13°F to 131°F)
	Operating Temperature	-25°C - 45 °C (-13°F to 113°F)
	Environment Humidity	40% ~ 90% RH, non condensing
	Certication	CE,ROHS
	Life Span	(Luminance decrease is less than 30%)

Size chart



Power Watts(W)	Lamp Base	Lamp Size
60W	E26/E27 E39/E40	Φ75*H206mm

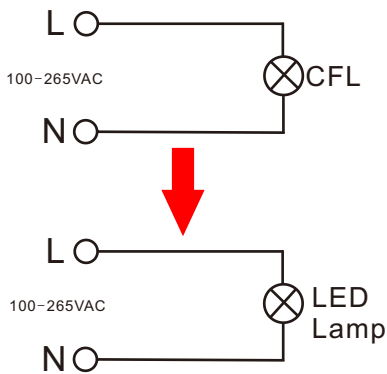
Package



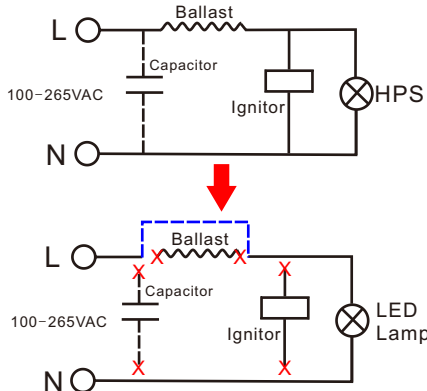
Packaging type	Small box	Outer Carton Dimensions	Gross weight	Quantity (Pieces/Unit)
NS-PCL60-01U	L7.5*W7.5*H20.6cm	L49*W41.2*H23cm	7.5Kg	30pcs

Installation

Replace CFL



Replace HID/MH/HPS



E26 LED Light Bulb

- Low Power Consumption
- High Brightness
- 99% light transmittance



<p>Halogen bulb</p> <ul style="list-style-type: none"> × Low brightness × High power consumption 	<p>Fluorescent bulb</p> <ul style="list-style-type: none"> × High brightness × High power consumption 	<p>LED bulb</p> <ul style="list-style-type: none"> ✓ Pollution environment ✓ High brightness ✓ Low power consumption
---	--	--