

NS-PWL10W-01  
NS-PWL40W-01



40W



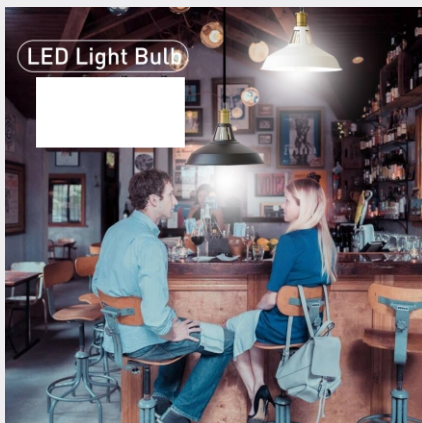
10W

Glass Shell Bright LED  
 Chips High brightness, Low power consumption  
 99% light transmittance Waterproof and dustproof  
 Standard E26 Screw Base Easy installation suitable for most E26/E27 bases  
 5000 lumens  
 CRI 80  
 40w replace 300w  
 UL RELIABLE LIGHTING  
 LED CORI

## Features Description

- 360 - degree lighting angle, natural ventilation and heat dissipation , Add protective cover, more security.
- Green products are light and convenient without ultraviolet and infrared radiation.
- Not suitable for dimmers ,electronic switches and remote controls .
- Dust and fire-proof, IP65.
- Widely replace HID/HPS/MH/CFL.
- Indoor and outdoor illumination: Such as studios or warehouse, supermarkets and galleries

## Applications



### COLOR INDEX COMPARISON

CRI 85 Good  
 Show natural color more vibrantly, suitable for commercial places, such as studios or jewelry stores, supermarkets and galleries.

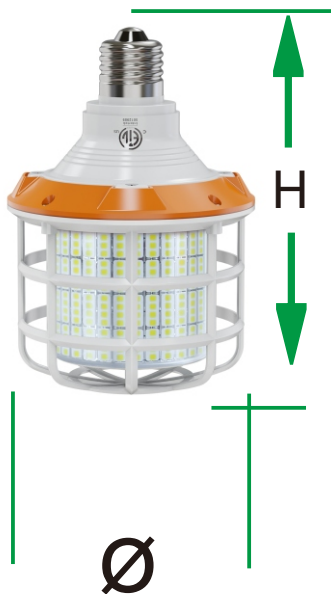
CRI 60 General  
 Applicable for places or occasions with low requirement

**CRI 80+**  
 See all colors the way they are supposed to be seen

## Technical parameters

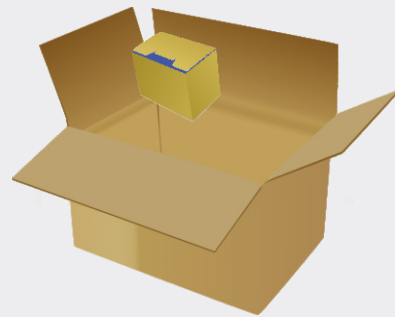
SPECIFICATION		NS-PWL 10W-01	NS-PWL40W-01
ELECTRICAL SPECIFICATIONS	Input Voltage (V)	100 -277V ,50/60Hz	
	Power Factor	100V@0.7,265V@0.6	
	Power Watts(W)	10W	40W
	Dimming Availability	NO	
	THD	<20%	
	Efficiency	>90%	
PHOTOMETRIC INFORMATION	Lumens Delivered (lm)	1000LM±5%	5200LM±5%
	Color Rendering Index (CRI)	>80	
	CCT	3000K,4000K, 5000K,6000K ,	
	Light Type	LED	
	Beam Angle	360°	
	LED Amount	63 LEDs	544 LEDs
GENERAL PERFORMANCE	IP Grade	IP65	
	Material	PC	
	Fixture Weight	170g(0.37lbs)	200g(0.44lbs)
	Storage temperature	-25°C - 55 °C (-13°F to 131°F)	
	Operating Temperature	-25°C - 50 °C (-13°F to 122°F)	
	Environment Humidity	40% ~ 90% RH, non condensing	
	Certification	CE,ROHS	
	Life Span	(Luminance decrease is less than 30%)	

## Size chart



Power Watts(W)	Lamp Base	Lamp Size
10W/40W	E26/E27 E39/E40	Φ105*H155mm

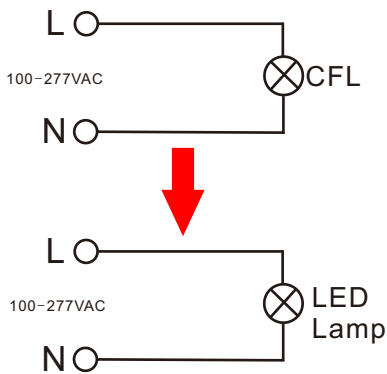
**Package**



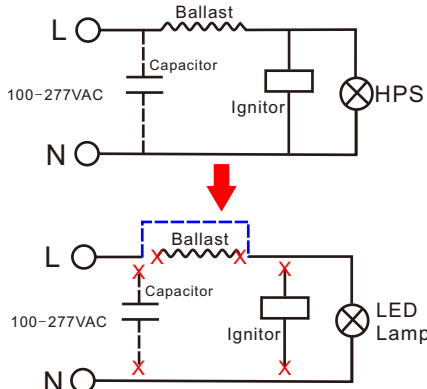
Packaging type	Small box	Outer Carton Dimensions	Gross weight	Quantity (Pieces/Unit)
NS-PWL10W-01	11*11*16.5cm	56*45*35cm	9Kg	40pcs
NS-PWL40W-01			10.2Kg	

**Installation**

**Replace CFL**



**Replace HID/MH/HPS**



**E26 LED Light Bulb**

- Low Power Consumption
- High Brightness
- 99% light transmittance



 <b>Halogen bulb</b> ✗ Low brightness ✗ High power consumption	 <b>Fluorescent bulb</b> ✗ High brightness ✗ High power consumption	 <b>LED bulb</b> ✓ Pollution environment ✓ High brightness ✓ Low power consumption
---	--	--