

NSWL-18W10S-120S2

LED Energy Saving light



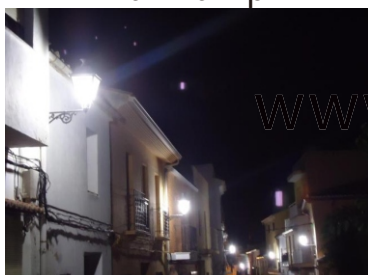
General illumination
 Outdoor use in outdoor luminaires only (minimum Ip65)
 Reduces lumen maintain flux and working life if used
 in sealed lamp fixtures. ①

Product features

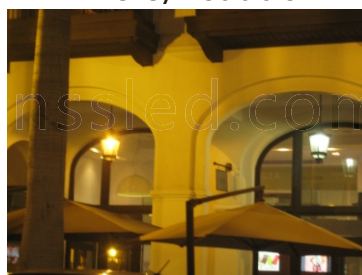
- Unique structure design , light source easier for light source replacement if needed.
- Aluminum fin-shape heat sinking in order to speed up heat dissipation.
- No UV and near-IR radiation in the light beam.
- Very low energy consumption, Lower thermal output.
- Popular, ballast free, easy installation.
- Not suitable for dimmers ,electronic switches and remote controls .
- Can be easily fitted instead of ordinary light bulbs.
- Mainly used in work places, supermarkets and public lighting.

Applications

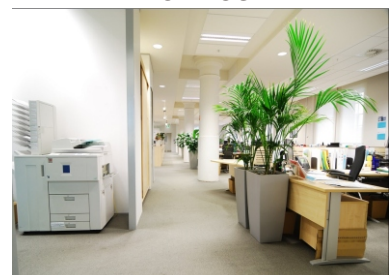
Wall Lamp



Aisle/Ecuador



office





Product datasheet

Technical data

Electrical data

Rated wattage	18-20W
Input Voltage	100-240 VAC
Operating frequency	50/60 Hz
Rated power factor	>0.90
Power Efficiency	>0.87
Humidity	< 90%
Ambient temperature	-40~45°C
Base (standard designation)	E26/E27/E39/E40
Replacement conventional lamp power	HPS/HID/MH/CFL Lamp 60W
Output Short Circuit Protection	YES
Output Overvoltage protection	YES
Dimmable	NO

Light technical data

Light Source/Count	120pcs 2835 0.5W LED
Luminous flux	2900Lm
Color temperature	Warm White: 2,500 ~ 3,500 K NaturalWhite: 4,000 ~ 5,000 K Cool White: 5,500 ~ 6,500K
Color rendering index Ra	Ra > 80
Starting time	0 S
LED Emitter Life	50000hrs
Lifepan of LED Lamp	35000hrs



Product datasheet

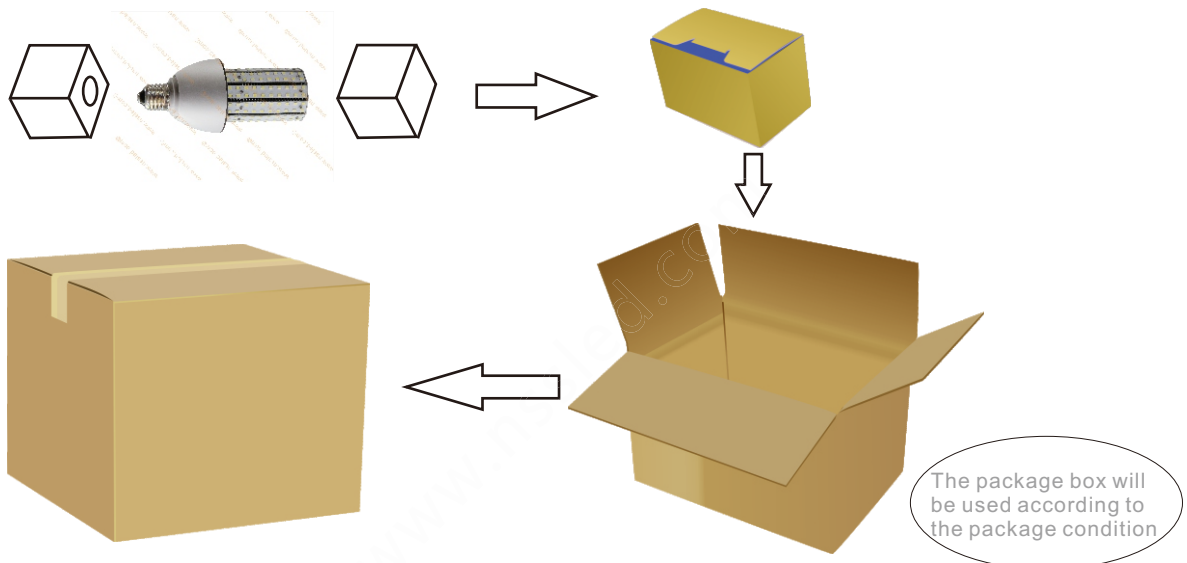
Dimensions & weight



Base	E26/E27	E39/E40
Overall length	166mm	173mm
Diameter	73mm	
N. W	230g	250g

Logistical Data

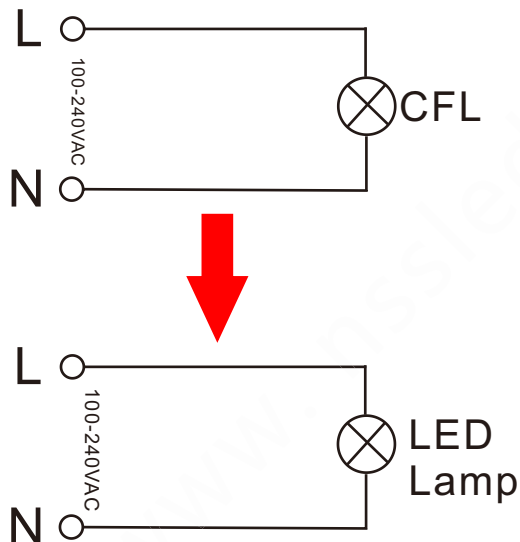
Package



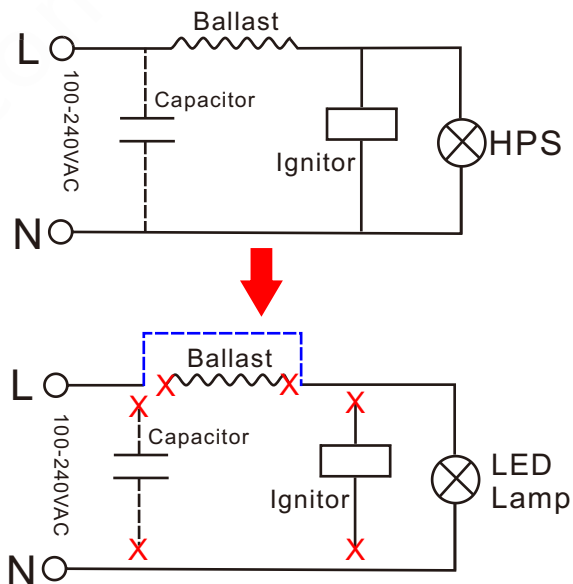
Packaging unit (Pieces/Unit)	Dimensions	Gross weight	Volume
Small box 1	20.2*9.2*9.2cm	300g	0.002m ³
Outer Carton 40	51*42*39.5cm	13Kg	0.085m ³

Installation

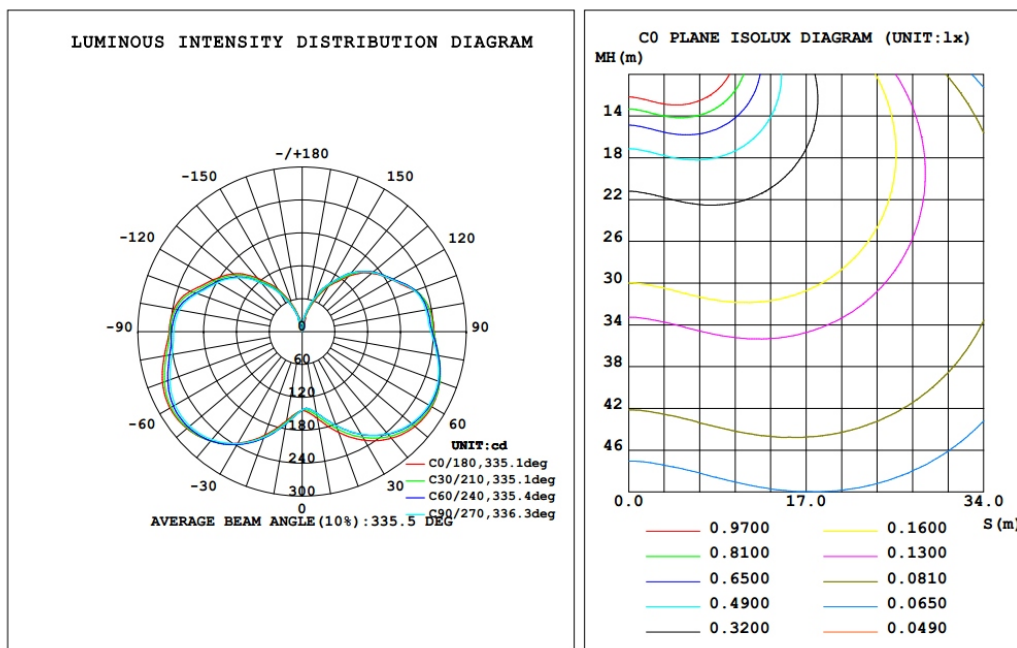
Replace CFL



Replace HPS/HID/MH



Light Distribution diagram

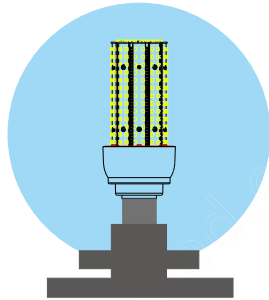


Product datasheet

Attention ①

When the products are used in the outdoor lighting,ensure the space is waterproof and well ventilated.Pay attention to the size of the confined space.Ensure the lamp has enough space for heat dissipation which ensures lumen maintenance and extends its working life.

As shown below, for your reference



When 18W warehouse light is used in confined space, the diameter must be more than 20cm.

Attention ②

Key Benifits of comparison	LED Energy Saving light 18W	HPS/HID/MH/CFL Lamp 60W
Luminous Flux(Lm)	2900	2700
Efficiency(Lm/W)	155	45
Better Color Appearance Measured in color Rendering index	80	98
Wide Color Availability In CCT(kelvin)	2500-6500	2500
Starting Time,Quick Start (min)	0	0
The life of the lamp(H)	35000	5000



LED Energy Saving
light 18W

Replacement
→



HPS/HID/MH/CFL
Lamp 60W

Additional product data

All technical parameters apply to the entire lamp/Due to the complex production process for light-emitting diodes, the typical values shown for the technical LED parameters are purely statistical values that do not necessarily match the actual technical parameters of each individual product,which can vary from the typical value.

Disclaimer

Subject to change without notice. Errors and omission excepted. Always make sure to use the most recent release.