

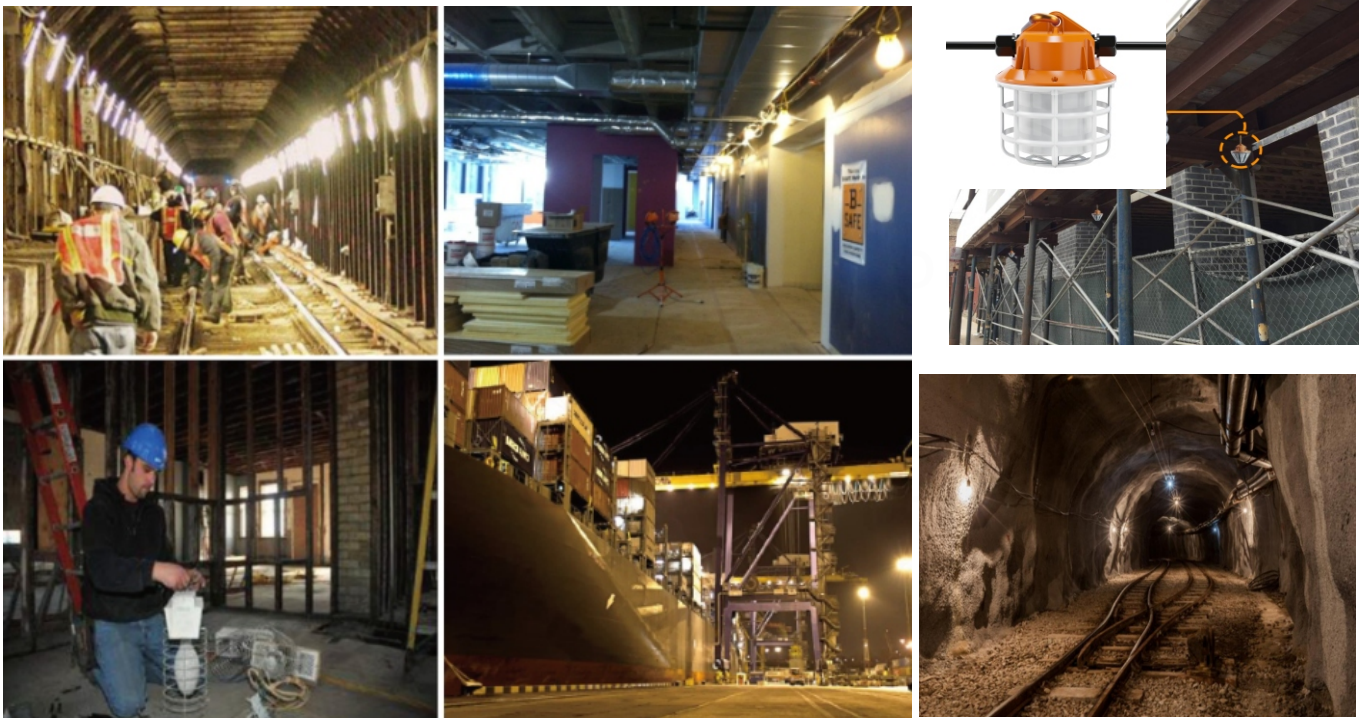
Product datasheet

LED Work String Light

NS-SWL10-05-RGB
NS-SWL10-10-RGB



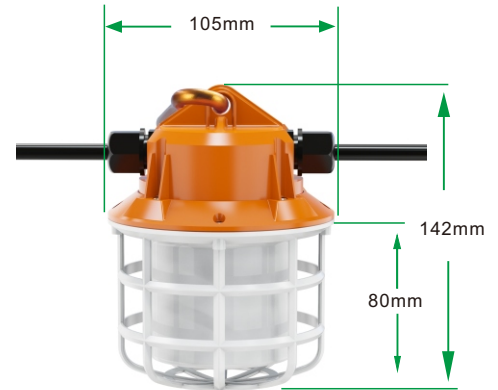
Applications



Product datasheet

Features

- 360-degree luminescence, Explosion-proof and pressure-resistant design of the cover.
- Wide voltage constant voltage and constant current power supply, high efficiency, DC low-voltage output is safer.
- Portable hooks are convenient, flexible and easy to operate.
- Remote dimming and color mixing, multiple color conversion, stroboscopic/gradient function.
- Suitable for outdoor wet or humid places. IP65 waterproof rating.

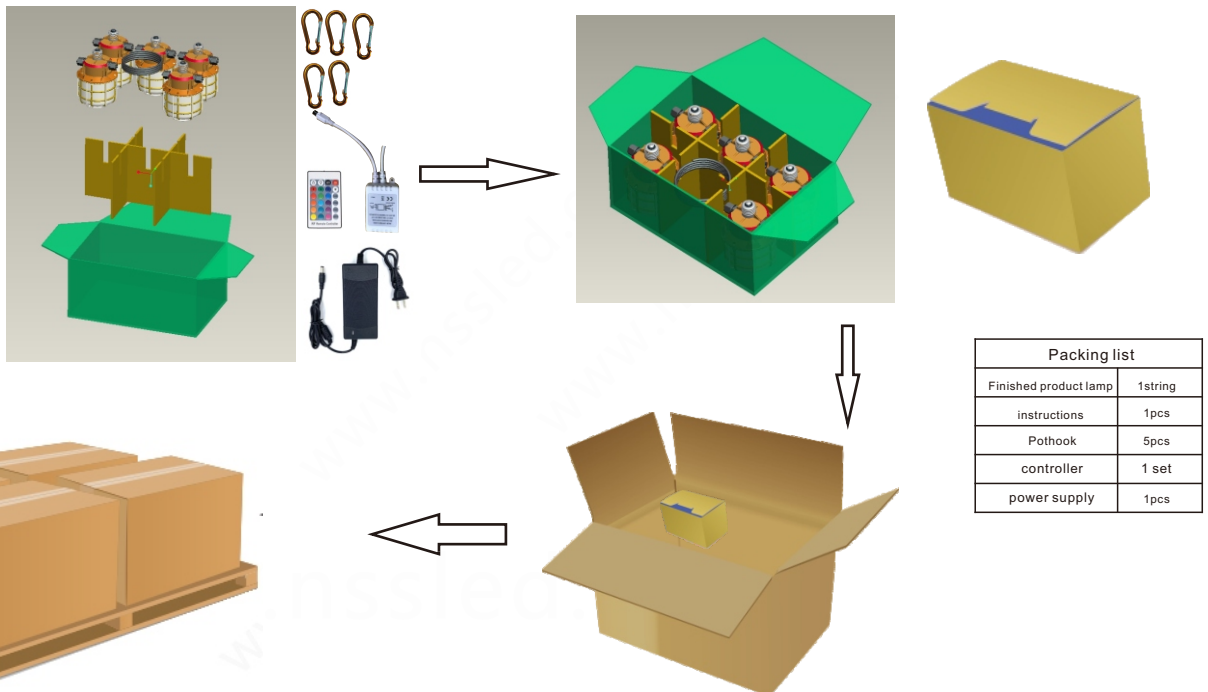


Parameter

Model	Power	Lumens (LM)	Voltage	Base	Color	Dim(single)	CRI	SMD	Weight	IP rate
NS-SWL10-05-RGB	50W	5000LM	100-277VAC	Pothook	RGBW	φ105*142 mm φ4,1*5,6 in	>80	5050	2.2Kg	Ip65
NS-SWL10-10-RGB	100W	10000LM	100-277VAC	Pothook	RGBW	φ105*142 mm φ4,1*5,6 in	>80	5050	4.2Kg	Ip65

Logistical Data

Package

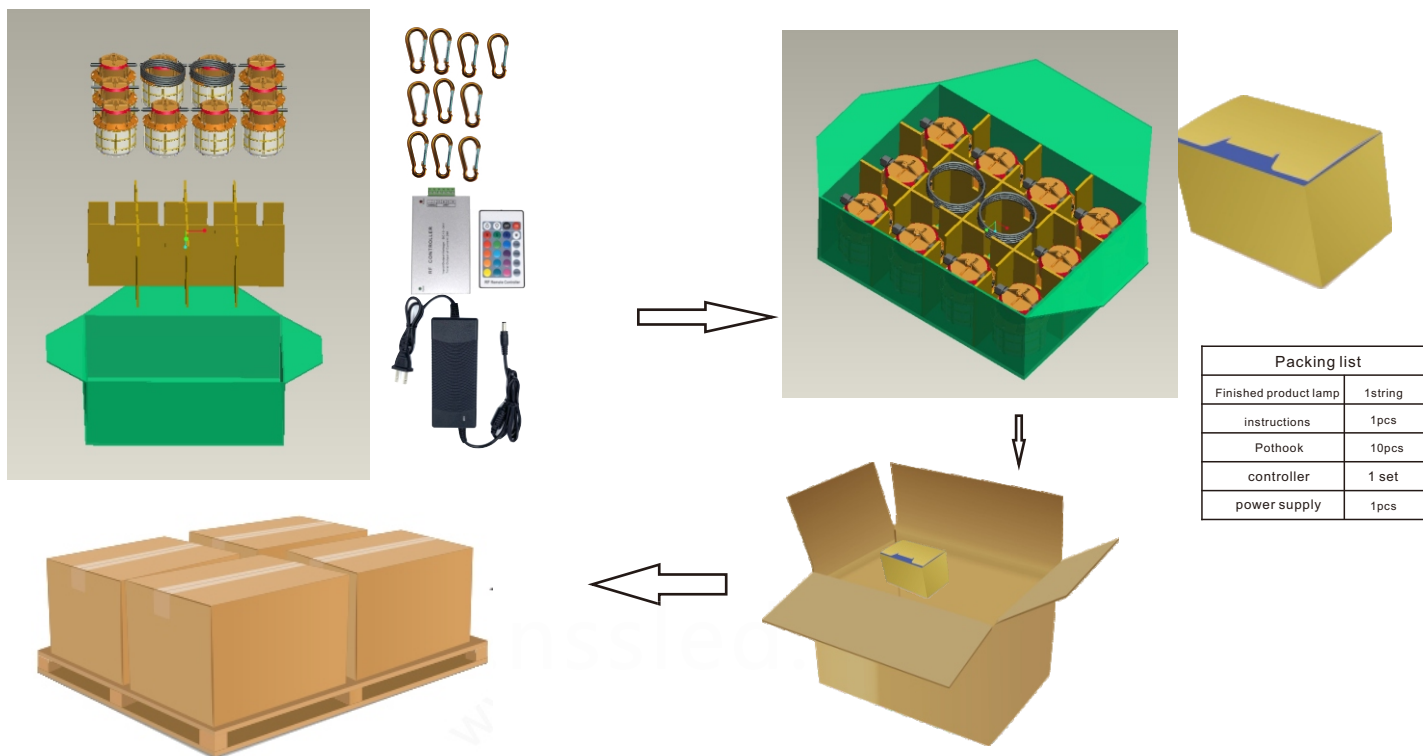


Packing list	
Finished product lamp	1string
instructions	1pcs
Pothook	5pcs
controller	1 set
power supply	1pcs

Model	Packaging unit (Pieces/Unit)	Dimensions	Gross weight	Volume
NS-SWL10-05-RGB	Small box 1	34.3*22.8*15cm	2.5Kg	0.012m ³
	Outer Carton 8	46.8*35.3*62cm	21Kg	0.1m ³



Product datasheet



Model	Packaging unit (Pieces/Unit)	Dimensions	Gross weight	Volume
NS-SWL10-10-RGB	Small box 1	45.8*34.3*15cm	4.5Kg	0.023m ³
	Outer Carton 4	46.8*35.3*62cm	19Kg	0.1m ³

Control Method:
Adopt IR remoter to control the led controller, which has 24 buttons, the function of each button as the table below:

Brightness+	Brightness-	Off	On
Static red	Static green	Static blue	Static white
Static orange	Static pea green	Static dark blue	Single color stroboflash
Static dark yellow	Static cyan	Static brown	Single color Gradual changing
Static yellow	Static light blue	Static pink	3 colors/7 colors fade change
Static straw yellow	Static sky blue	Static purple	3 colors/ 7colors jump change

Direction:

- switching to dynamic modes the button of "Brightness+/ Brightness-" mansthe speed of light change is up/down,there are 10 step in all.
- FADE and SMOOTH all have two modes,which are"3 colors/7 colors fade change" and "3 colors/ 7colors jumpy",you can press one more time to change it.
- When the last two models for the FADE and SMOOTH keys, press FLASH and STROBE two butt ons default to white strobe flash and white gradient
- in the static modes,press the "FLASH"/"STROBE" key, the mode will change to be the single color Stroboflash/gradual changing.

Additional product data

All technical parameters apply to the entire lamp/Due to the complex production process for light-emitting diodes, the typical values shown for the technical LED parameters are purely statistical values that do not necessarily match the actual technical parameters of each individual product,which can vary from the typical value.

Disclaimer

Subject to change without notice. Errors and omission excepted. Always make sure to use the most recent release.